

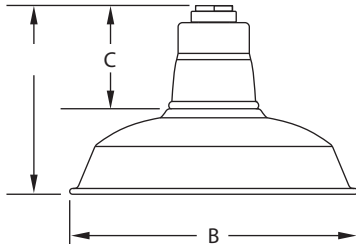
RLLD RLM STANDARD DOME



RLLD - STANDARD DOME



DIMENSIONS



Fixture	Height (A)	Diameter (B)	Neck (C)	Weight (lbs./kg)
SD 100	8-1/4" (210mm)	12" (305mm)	4-1/2" (114mm)	2.5 (1.13kg)
SD 150	9-1/2" (241mm)	14" (356mm)	4-1/2" (114mm)	3.0 (1.36kg)
SD 200	10" (254mm)	16" (406mm)	4-1/2" (114mm)	3.5 (1.59kg)
SD 300	11" (279mm)	18" (457mm)	5" (127mm)	4.0 (1.81kg)



wet location

FINISH - Available in either Architectural Textured, High Gloss, or Galvanized finish.

LAMP OPTIONS - Designed to accommodate Incandescent, Compact Fluorescent, and High Intensity Discharge lamps. CFL and HID lamps available – order separately; Incandescent lamps by other.

MOUNTING - Cast Aluminum hub tapped for 3/4" NPT conduit. Available factory prewired with 96" leads or white or black cord set and canopies. Cord sets listed for damp locations only.

REFLECTOR - Heavy-duty, spun Galvanized steel construction.

SOCKETS - Incandescent (rated 660 Watt/600 Volt) and HID fixtures (4KV pulse rated) are medium base porcelain. Compact Fluorescent sockets feature smart push-pull thermoplastic design for ease of lamping.

NOTES:

- REMOTE BALLAST REQUIRED (MH & CFL) and must be ordered separately – see accessories page
- Metal Halide (MH) and Compact Fluorescent (CFL) lamps must be ordered separately.
- Incandescent (INC) lamps supplied by others.
- Product may be wall, pole or ceiling mounted

Available for indoor or outdoor applications

TYPICAL ORDER EXAMPLE: **SD 100 INC 120 MSV CA120WHT G6**

Luminaire Prefix	Diameter	Lamp Wattage	Light Source	Line Voltage	Finish	Mounting	Factory Installed Options	Field Installed Accessories
SD	100 - 12" 150 - 14" 200 - 16" 300 - 18"	100 - 100 Watt Max. 150 - 150 Watt Max. 200 - 200 Watt Max. 300 - 300 Watt Max	INC - Incandescent	120	GAL - Galvanized MSV - Metallic Silver GWT - Gloss White GBK - Gloss Black GRD - Gloss Red GGN - Gloss Green GPT - Textured Graphite RUS - Textured Rust SVG - Satin Verde Green	LDS96WL - Prewired leads. For use with stem or bracket mounting in wet or indoor locations. CA120WHT - 10' prewired white cord set and canopy CA120BLK - 10' prewired black cord set and canopy CA120WHTS - 10' prewired white cord set and canopy with SWAG option ¹ CA120BLKS - 10' prewired black cord set and canopy with SWAG option ¹ CS120 5WHT - 10' prewired white 5-conductor cord set and canopy for use with CFL fixtures ² CS120 5BLK - 10' prewired black 5-conductor cord set and canopy for use with CFL fixtures ² RC72BLK - 6' prewired black cord set and canopy. Includes SWAG cable ¹	G6 - Globe ³ PG3 - Globe ³	Ball Aligners Decorative Aligners Gooseneck & Wall Brackets Poles & Pole Brackets Stems Wire Guards Remote Ballasts PFA BLK - Pendant Fixture Adaptor, Black PFA WHT - Pendant Fixture Adaptor, White
		26/32/42	CFL - Compact Fluorescent (Globe option required)	UE				
		50 70 100	MH - Metal Halide (PG3 Globe option required)	120 277				
		50 70 100	MP - Metal Halide ¹ (for use in open optics)					
		175	PSMV - Pulse Start Metal Halide ⁴ (PG3 Globe option required)					

1- For indoor applications only.

2- The 5-Wire cord sets do not include a canopy. Order the SMB 26/32/42/ CFL UE GWT decorative canopy/ballast separately.

3- For wattage and size restrictions, see RLM GLOBES option.

4- 175 watt available only with SD200 or 300.



RLLD COMMERCIAL LIGHTING - 300 SHEPHERD DR - SUITE B - HOUSTON, TX 77009 P.713-863-7699 F.713-979-1429

Project Name _____ Location _____

Contact Info _____

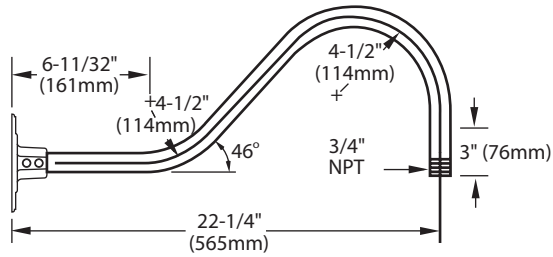
RLLD - GOOSENECK LIGHT OPTIONS

Brackets are finished in gloss white powder, other optional colors are available. All brackets suitable for use in wet locations, and mounts to recessed 4" octagon box (by others). Fixtures used in wet locations must be specified "WL" separately. To order, specify catalog number indicated.

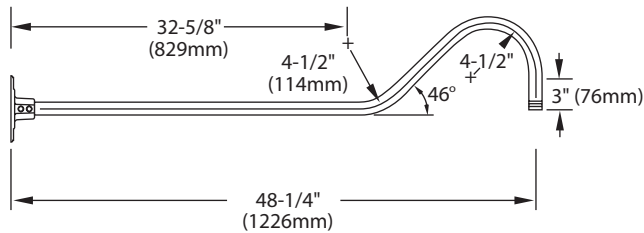
NOTE: Brackets feature 3/4" stems which slip fit into wall plate (wall end is unthreaded). Conduit may be cut down (in the field by other) to shorten bracket length.

CAS wall plate included with all goosenecks.

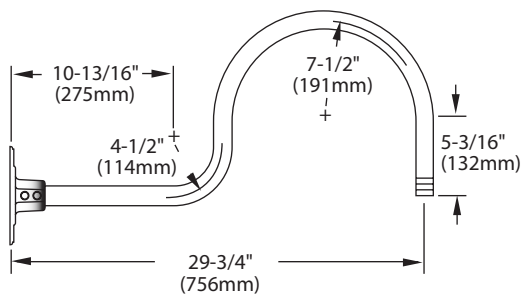
TYPE A



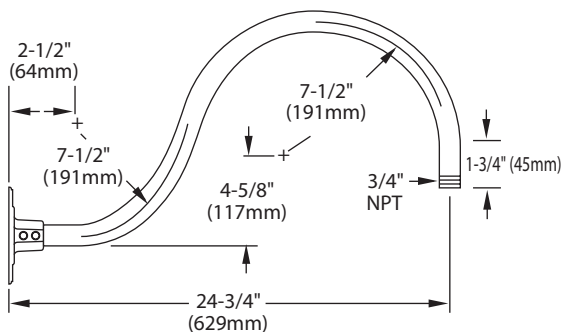
TYPE B



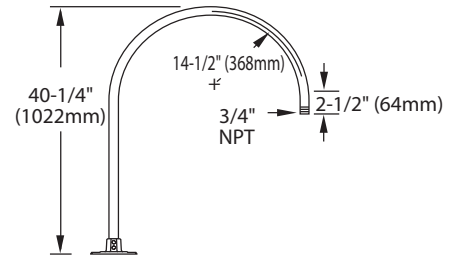
TYPE C



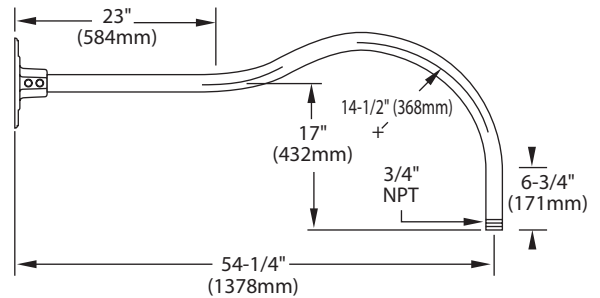
TYPE D



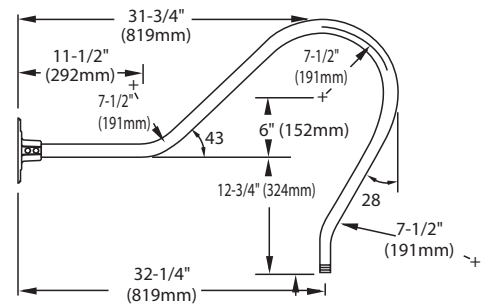
TYPE E



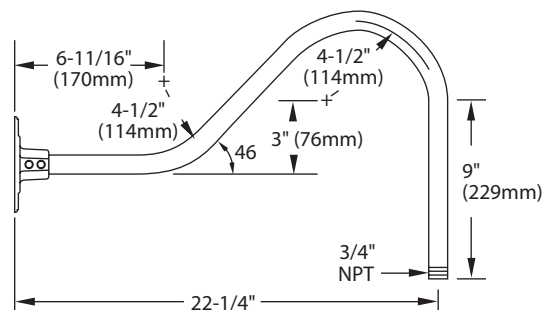
TYPE F



TYPE G

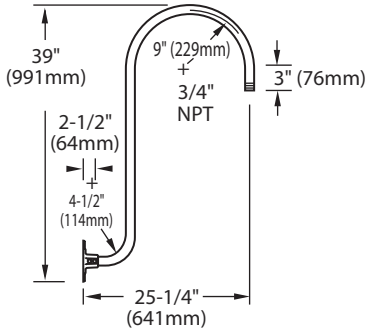


TYPE H



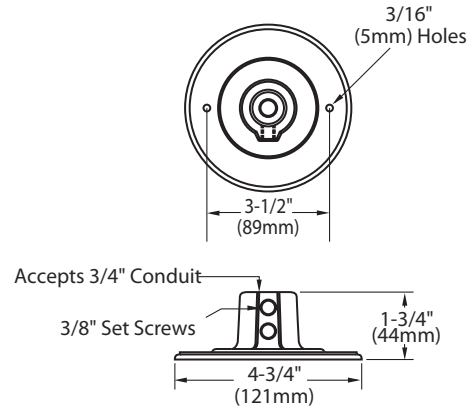
RLLD - 3/4" SINGLE REFLECTOR WALL BRACKETS

TYPE J

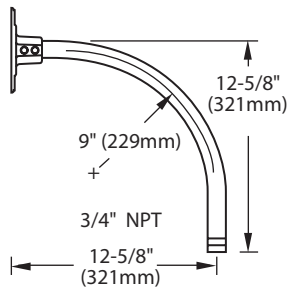


WALL PLATE

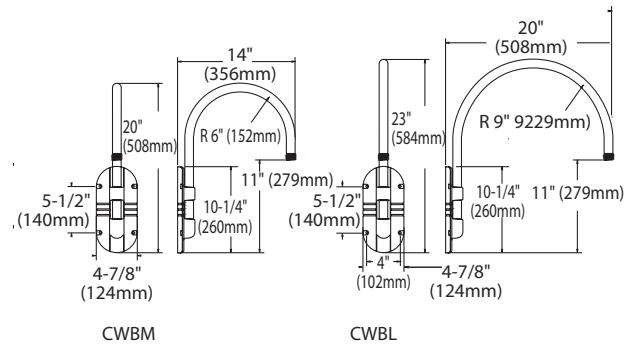
- Mounts to recessed 4" octagon box (by others).



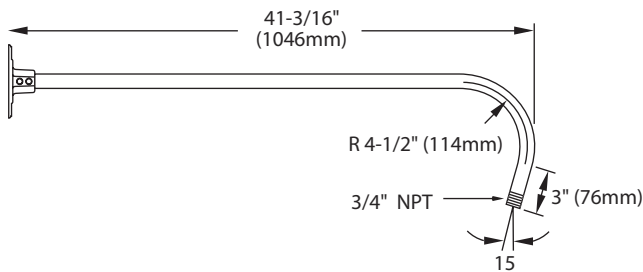
TYPE K



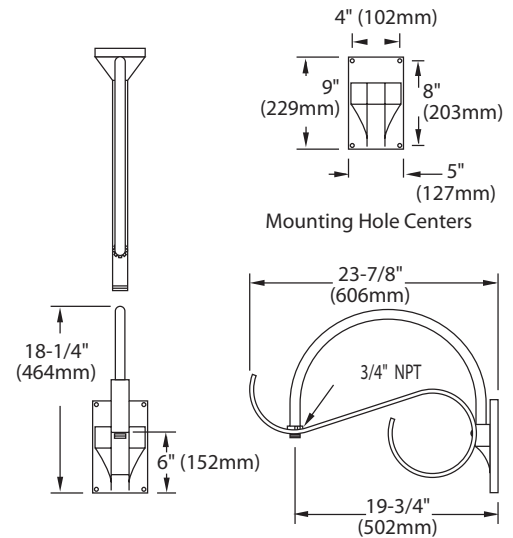
CWBM/L - Contemporary Wall Bracket



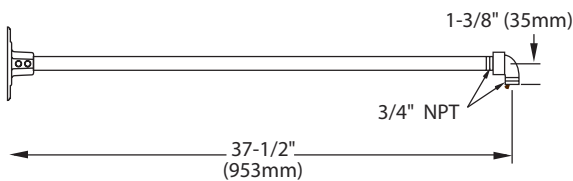
TYPE P



DWB - Single Reflector Wall Bracket. Four 5/16" diameter holes are provided for wall mounting



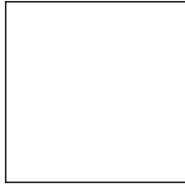
TYPE U



RLLD Standard Colors Chart



METALLIC SILVER



GLOSS WHITE



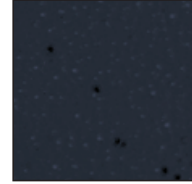
GLOSS BLACK



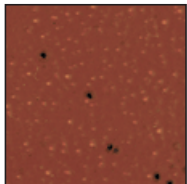
GLOSS RED



GLOSS GREEN



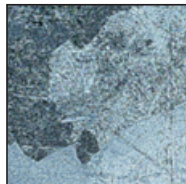
TEXTURED
GRAPHITE



TEXTURED RUST



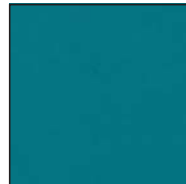
SATIN VERDE
GREEN



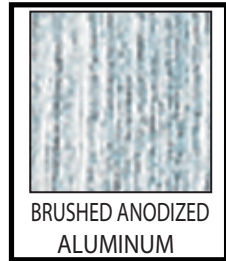
GALVANIZED



SATIN COPPER



SATIN TURQUOISE



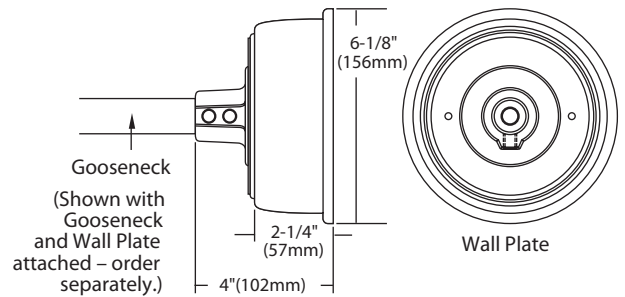
BRUSHED ANODIZED
ALUMINUM

Approved for indoor applications only

REMOTE BALLASTS

WMB - Weather-tight CFL Wall Mount Ballasts

- Designed for outdoor or wet locations.
- Operates 26, 32, and 42 Watt CFL-T4-Pin lamps.
- Highest quality electronic ballast.
- Allows operation of lamps down to -18°C/-18°F.
- Housing of cast aluminum.
- Gloss white powder finish. Optional RLM colors available.
- Mounts to recessed 4" octagonal box (by other).

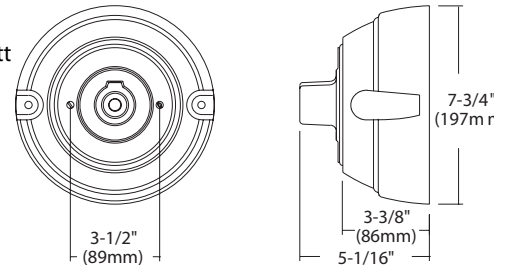


WMB STYLE ORDERING DATA

Indoor/Outdoor Catalog Number	Designed for Lamp Type	Distance to Lamp	Net Weight
WMB 26/32/42 CFL UE GWT	26/32/42 Watt PL-T 4-Pin	15 ft.	1 lb.

WMB2 - Weather tight EMH and CFL Wall Mounted Ballasts

- Designed for Outdoor/Indoor wet or damp locations.
- Operates 35 through 100 Watt Metal Halide medium base lamps or 26, 32, and 42 Watt CFL-T 4-Pin lamps.
- Electronic ballast promotes superior lamp performance.
- Housing of cast aluminum.
- Finish is gloss white powder. Optional RLM colors available.
- Mounts to recessed or surface 4" octagonal box (by other).
- Designed to accept Gooseneck Brackets (order separately).



WMB2 STYLE ORDERING DATA

Indoor/Outdoor Catalog Number	Designed for Lamp Type	Distance to Lamp	Net Weight
WMB2 35/50 EMH UE GWT	35/50 Watt Metal Halide - Med. Base	5 Feet	6 lbs.
WMB2 70/100 EMH UE GWT	70/100 Watt Metal Halide - Med. Base	5 Feet	6 lbs.
WMB2 26/32/42 CFL UE GWT	26/32/42 Watt PL-T 4-Pin	15 Feet	12 lbs.



WTRB - Weather-tight Remote Ballasts

- Highest quality Class H core and coil.
- Finish is white textured powder. Optional textured RLM colors available.
- High Power Factor Design.

WTRB STYLE ORDERING DATA

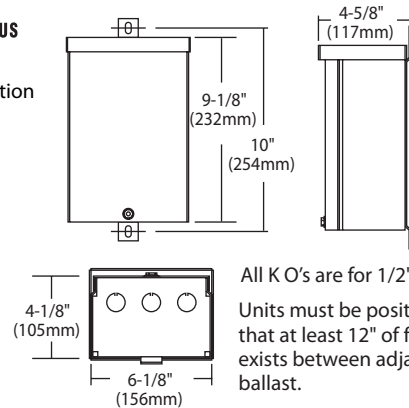
Indoor/Outdoor Catalog Number	Designed for Lamp Type	Distance to Lamp	Net Weight
WTRB 50 MH MT WHT	50 Watt Metal Halide	50 ft.	10 lbs.
WTRB 70 MH MT WHT	70 Watt Metal Halide	50 ft.	11 lbs.
WTRB 100 MH 120/277	100 Watt Metal Halide	50 ft.	12 lbs.
WTRB 100 MH 208/240 ¹	100 Watt Metal Halide	50 ft.	12 lbs.
WTRB 175 MH MT WHT	175 Watt Metal Halide	165 ft.*	15 lbs.
WTRB 26/32/42 CFL UE WHT	26/32/42 Watt PL-T 4-Pin	15 ft.	8 lbs.

*Based on #14 Ga. wire - Other wire sizes may allow greater distance. Consult factory.

1- This circuit contains a HX-HPF Reactor Circuit with starting amps higher than operating amps. NOTES

For international voltages, consult factory.

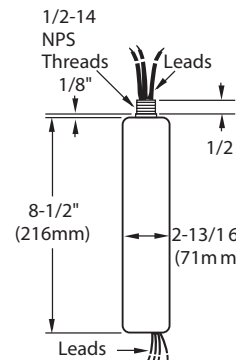
MT - Multi Tap is shipped standard unless otherwise specified. Multi Tap consists of 120V, 208V, 240V, and 277V. Multi Tap is pre-wired for highest voltage. Alternate voltages will require field re-wiring.



All K O's are for 1/2" fittings. Units must be positioned so that at least 12" of free space exists between adjacent ballast.

POSTLINE BALLAST (FOR USE INSIDE 4" POLES) ORDERING DATA

Postline Catalog Number	Designed for Lamp Type	Distance to Lamp	Net Weight	Height
PB 26/32/42 CFL UE	26/32/42 Watt PL-T 4-Pin	5 ft.	1 lbs.	5"



Metal Halide Postline Ballast Shown

Note: 26/32/42 Watt CFL Postline Ballast measures 1" x 2-3/8" x 5".

REMOTE BALLASTS

RB2 - Indoor Remote Ballasts

- Highest quality Class H core and coil.
- Pre-painted Aluminum case. (colors not available)
- High Power Factor Design.

RB2 ORDERING DATA

Indoor Catalog Number	Designed for Lamp Type	Distance to Lamp	Net Weight
RB2 50 MH MT	50 Watt Metal Halide	50 ft.	10 lbs.
RB2 70 MH MT	70 Watt Metal Halide	50 ft.	11 lbs.
RB2 100 MH 120/277	100 Watt Metal Halide	50 ft.	12 lbs.
RB2 100 MH 208/240 ¹	100 Watt Metal Halide	50 ft.	12 lbs.
RB2 175 MH MT	175 Watt Metal Halide	165 ft.*	15 lbs.
RB2 250 MH MT	250 Watt Metal Halide	120 ft.*	17 lbs.
RB2 400 MH MT	400 Watt Metal Halide	75 ft.*	21 lbs.

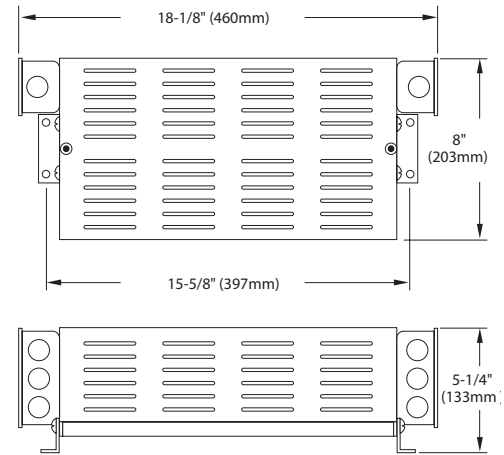
*Based on #14 Ga. wire - Other wire sizes may allow greater distance. Consult factory.

1- This circuit contains a HX-HPF Reactor Circuit with starting amps higher than operating amps.

NOTES

For international voltages, consult factory.

MT - Multi Tap is shipped standard unless otherwise specified. Multi Tap consists of 120V, 208V, 240V, and 277V. Multi Tap is pre-wired for highest voltage. Alternate voltages will require field re-wiring.



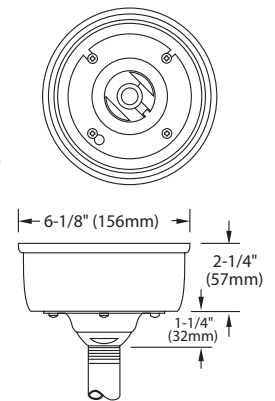
SMB - Canopy CFL Ceiling Mount Ballasts

- Designed for indoor applications.
- Operates 26, 32, and 42 Watt CFL-T4 Pin lamps.
- Highest quality electronic ballast.
- Housing of cast aluminum.

- Finish is gloss white powder. Optional RLM colors available.
- Mounts to recessed 4" octagonal box (by other).
- Swivel design accommodates up to 37° slope ceiling.

SMB STYLE ORDERING DATA

Indoor Catalog Number	Designed for Lamp Type	Distance to Lamp	Net Weight
SMB 26/32/42 CFL UE GWT	26/32/42 Watt PL-T 4-Pin	15 ft.	1 lb.



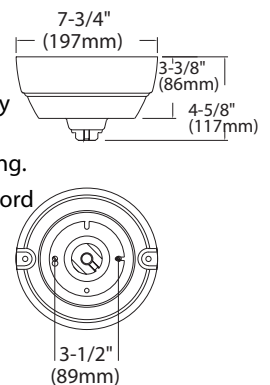
SMB2 - Canopy EMH and CFL Ceiling Mounted Ballasts

- Designed for Indoor Applications.
- Operates 35 through 100 Watt Metal Halide medium base lamps or 26, 32, and 42 Watt CFL-T4 Pin lamps.
- Electronic ballast promotes superior lamp performance.

- Finish is gloss white powder. Optional RLM colors available.
- Mounts to recessed or surface 4" octagonal box (by other).
- Swivel design accommodates up to 37° slope ceiling.
- Designed to accept 3/4" NPT conduit or optional cord sets.

SMB2 STYLE ORDERING DATA

Indoor/Outdoor Catalog Number	Designed for Lamp Type	Distance to Lamp	Net Weight
SMB2 35/50 EMH UE GWT	35/50 Watt Metal Halide - Med. Base	5 Feet	6.5 lbs.
SMB2 70/100 EMH UE GWT	70/100 Watt Metal Halide - Med. Base	5 Feet	6.5 lbs.
SMB2 26/32/42/CFL UE GWT	26/32/42 Watt PL-T 4-Pin	15 Feet	6.5 lbs.



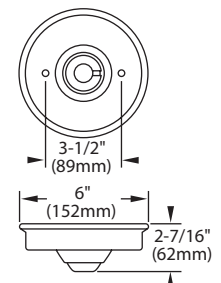
BC600 - Decorative Canopy Ceiling Mount Ballasts

- Designed for indoor applications.
- Operates 2-lamp 26, 32, and 42 Watt CFL-T4 Pin lamps.
- Highest quality electronic ballast.

- Finish is gloss white powder. Optional RLM colors available.
- Mounts to recessed 4" octagonal box (by other).
- NOT recommended slope ceiling.
- Designed to accept 3/4" NPT conduit.

BC600 2-LAMP STYLE ORDERING DATA

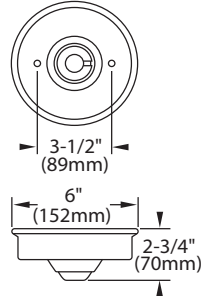
Indoor/Outdoor Catalog Number	Designed for Lamp Type	Distance to Lamp	Net Weight
BC 600 26/32/42 CFL2 UE	26/32/42 Watt PL-T 4-Pin	15 ft.	1 lb.



FIXTURE HANGING ACCESSORIES

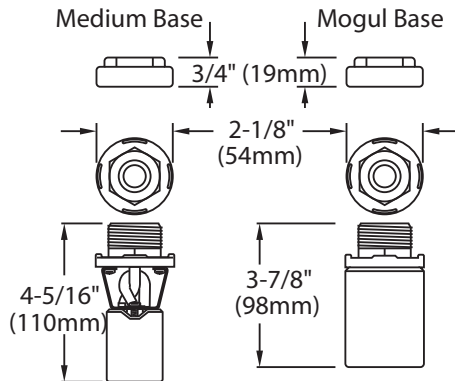
BC TYPE DECORATIVE CANOPY TYPE ALIGNER:

- Canopy type aligners consist of drawn steel canopy with cast ball joint assembly (for damp locations only).
- Allow 3/4" stem to hang plumb when surface mounted at any angle up to 37 degrees.
- White gloss finish is standard; other optional colors available.
- BC600 3 GWT



SOCKETS AND HOLDERS:

- Medium Base Replacement Sockets tapped for 3/4" conduit.
- Mogul Base Replacement Sockets tapped for 1/2" or 3/4" conduit (specify size required). Wiring not included.
- RS socket designs are replacements for RLMs.
- Sockets provided with cords do not include ceiling canopy.
- RS7005 3/4 LDS96 - Medium Base 3/4" Socket with 96" leads
- RS7005 CA120WHT - Medium Base Socket with 120" white cord
- RS7005 CA120BLK - Medium Base Socket with 120" black cord
- RS7006 1/2 - Mogul Base 1/2" Replacement Socket (no wiring supplied)
- RS7006 3/4 - Mogul Base 3/4" Replacement Socket (no wiring supplied)
- CA GWT - White replacement canopy kit (for above cord set)
- CA GBK - Black replacement canopy kit (for above cord set)

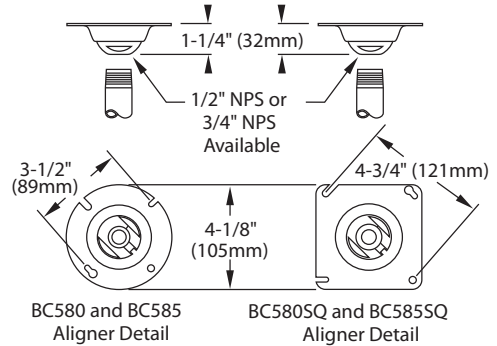


BC UTILITY TYPE BALL ALIGNERS:

- Allow fixtures to hang plumb when suspended at angle as great as 37 degrees.
- Heavy gauge steel with zinc finish.

Note: All aligners listed on this page are outlet box cover type and are secured by 8-32 outlet box screws. The N.E.C. states that "a fixture which weighs more than 50 pounds shall be supported independently of the outlet box."

- BC580 ZINC - 1/2" threaded entry to accept NPT fittings.
- BC585 ZINC - 3/4" threaded entry to accept NPT fittings.
- BC580SQ ZINC - 1/2" threaded entry to accept NPT fittings.
- BC585SQ ZINC - 3/4" threaded entry to accept NPT fittings.



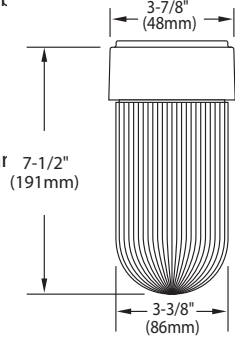
BC580 and BC585
Aligner Detail

BC580SQ and BC585SQ
Aligner Detail

GLOBES, WIRE GUARDS, ACCESSORIES

PG3

- Full heat- and impact-resistant 3" diameter prismatic Glass Globe offers symmetrical light pattern. Glob screws into cast aluminum holder.
- 4-pin lamp holder supplied for 26, 32, and 42 Watt Compact Fluorescent lamps.
- 4KV medium base lamp holder supplied for use with Incandescent or HID lamps.
- Globe factory assembled to the RD, BD, RWD, AD200 or HMDM reflector of your choice.



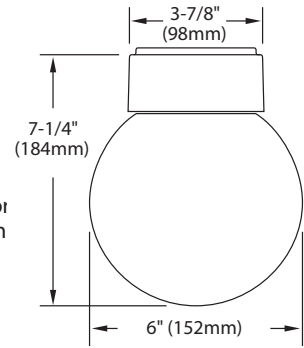
wet location

Option	Description	Lamp Socket	Maximum Wattage Restrictions
PG3	3" Diameter (76mm) Ribbed Clear Glass Assembly	4 PIN Medium Medium	26/32/42 Compact Fluorescent 200 Incandescent 100' Metal Halide
PG3FG	3" Diameter (76mm) Ribbed Frosted Glass Assembly		175Pulse-Start Metal Halide

1- Requires the use of Medium Base Reduced Envelope Lamp

G6

- Frosted 6" diameter (152mm) Glass Globe offers symmetrical light pattern. Globe screws into cast aluminum holder.
- 4-Pin lamp holder supplied for 26, 32, and 42 Watt Compact Fluorescent lamps.
- Medium base lamp holder supplied for use with Incandescent lamps.
- Globe factory assembled to the RD, BD, RWD, or HMDM reflector of your choice (also available on AD 200 only).



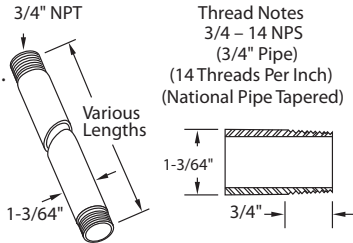
wet location

Option	Description	Lamp Socket	Maximum Wattage Restrictions
G6	6" Diameter (152mm) White Opal Glass	4 PIN Medium	26/32/42 Compact Fluorescent 75 Incandescent No Metal Halide

ACCESSORIES

ST TYPE STEMS:

- 3/4" NPT rigid aluminum conduit stem features gloss powder coat finish.
- White powder finish is standard; other optional colors available.



All Rigid Conduit Stems Are Finished With Gloss White Powder

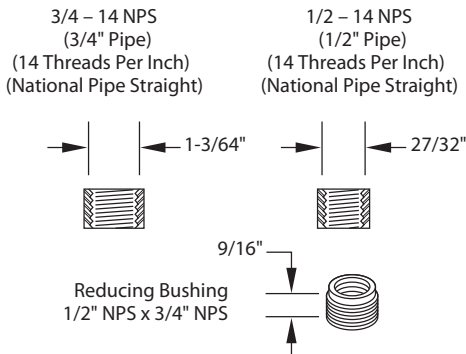
STEM ORDERING DATA

ST 6 3 GWT	3/4" x 6" Rigid Conduit Stem
ST 12 3 GWT	3/4" x 12" Rigid Conduit Stem
ST 18 3 GWT	3/4" x 18" Rigid Conduit Stem
ST 24 3 GWT	3/4" x 24" Rigid Conduit Stem
ST 36 3 GWT	3/4" x 36" Rigid Conduit Stem
ST 48 3 GWT	3/4" x 48" Rigid Conduit Stem
ST 60 3 GWT	3/4" x 60" Rigid Conduit Stem
ST 72 3 GWT	3/4" x 72" Rigid Conduit Stem
COP 3 GWT	3/4" Coupling for joining stem sections

NOTE: Stems do not include canopies – Order Separately

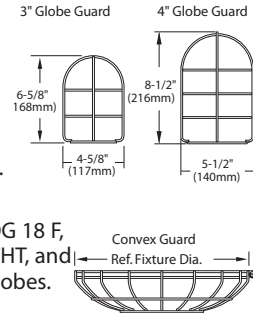
REDUCING BUSHING 3/4" TO 1/2":

- Fits RLM top casting to adapt fixture for 1/2" stems. Part # 133834



COG TYPE WIRE GUARDS:

- All have center opening for relamping (except COG3 and COG4).
- Metallic silver powder finish standard (except COG3 and COG4 are gloss white); other optional colors available.
- All wire guards are convex type except COG20F MSV, COG 14 F, COG 18 F, AND COG18 N which are flat, COG3 WHT, and COG4 WHT which fits PG3, and PG4 globes.



WIRE GUARD ORDERING DATA

COG 3 GWT	3" Globe Wire Guard Finished Gloss White Powder (For use with PG3 Globe Option)
COG 4 GWT	4" Globe Wire Guard Finished Gloss White Powder (For use with PG4 on Harbor Series)
COG 7 MSV	7" Convex Wire Guard (AD 100 guard)
COG 9 MSV	9" Convex Wire Guard (AD 150 guard)
COG 10 MSV	10" Convex Wire Guard (BD 200 guard)
COG 11 MSV	11" Convex Wire Guard (AD 200 guard)
COG 12 MSV	12" Convex Wire Guard (RD 100 guard)
COG 13 MSV	13" Convex Wire Guard (BD 300 guard)
COG 14 MSV	14" Convex Wire Guard (RD 150 guard)
COG 16 MSV	16" Convex Wire Guard (RD 200 guard)
COG 18 MSV	18" Convex Wire Guard (RD 300 guard)
COG 20 MSV	20" Flat Wire Guard

COG 14 F	14" Flat Wire Guard (Open CHT/IHT guard)
COG 14 N	14" Flat Wire Guard (Enclosed CHT/IHT guard)
COG 18 F	18" Flat Wire Guard (Open CHT/IHT guard)
COG 18 N	18" Flat Wire Guard (Enclosed CHT/IHT guard)

Zinc Plated only