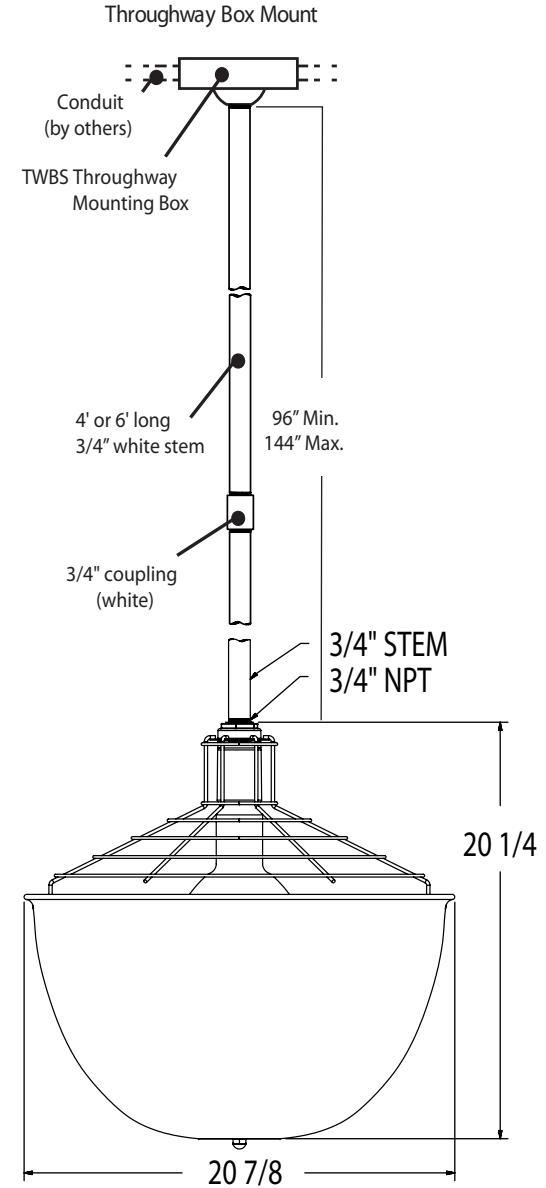
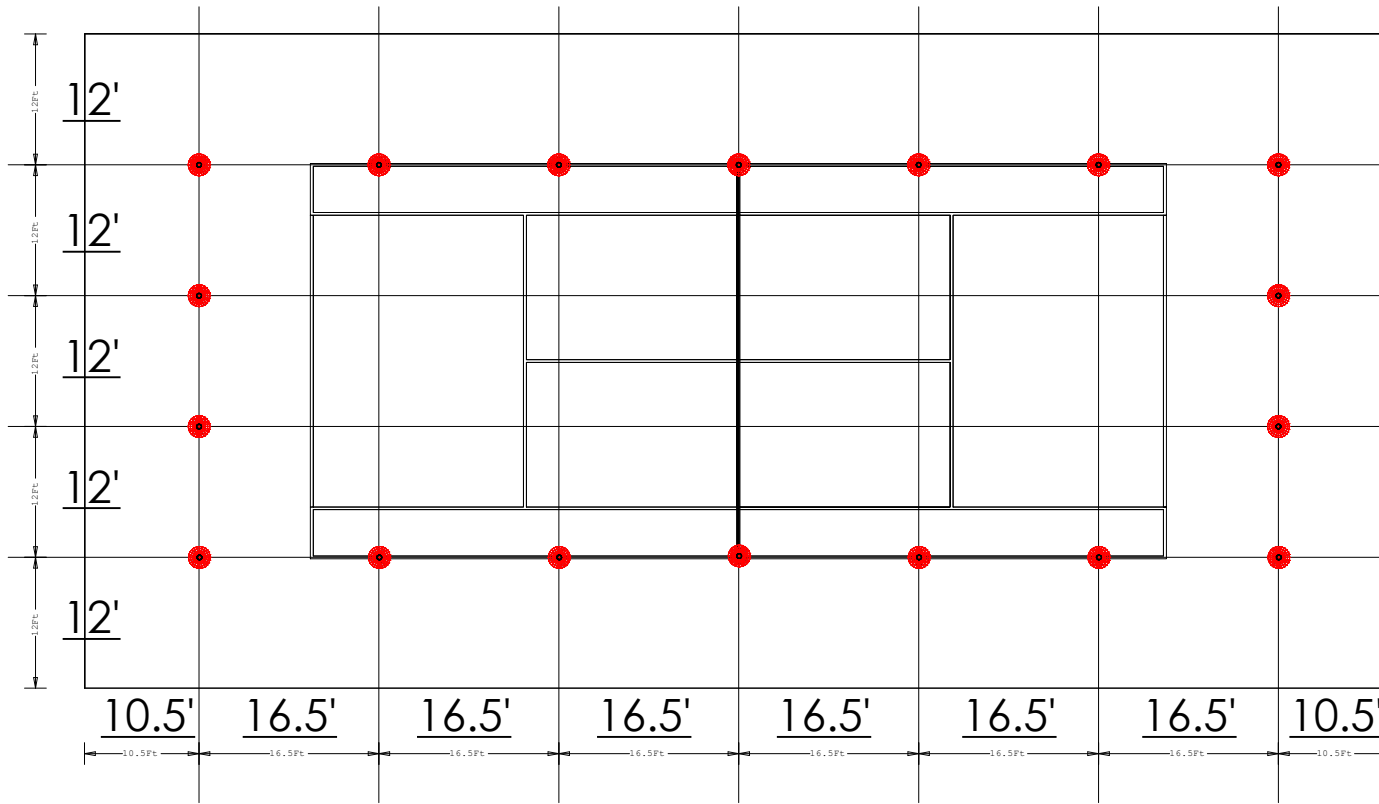


# TENNIS COURT LIGHTING LAYOUT - JIM GADBERRY



ALL FIXTURES - 1100 INPUT WATTS

BALLAST - QUAD-TAP 120,208,240,277

REMOTE MOUNTED

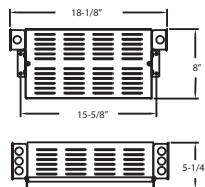
MAX DISTANCE:

10 gauge - 325'

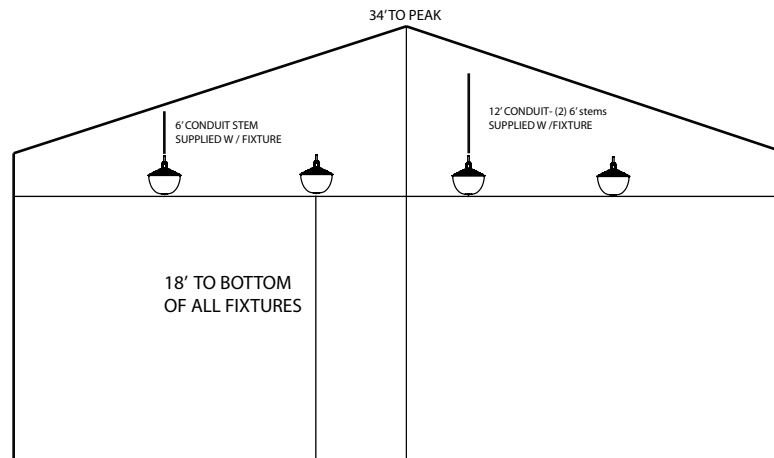
12 gauge - 205'

14 gauge - 125'

16 gauge - 80'



Ballasts should be spaced a minimum of 12' apart on all sides for proper heat dissipation.



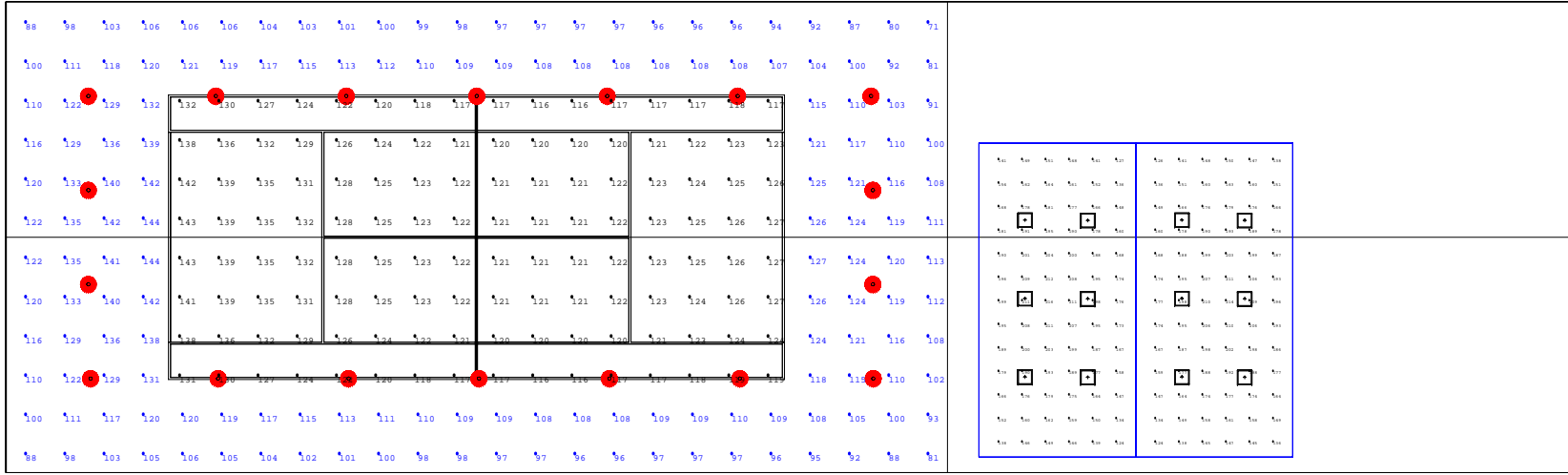
FIXTURE WEIGHT 15lbs



**RLLD, LP**  
 300 SHEPHERD DR STE B  
 HOUSTON, TX 77007  
 O. 713.867.7699  
 F. 713-979-1429  
 WWW.RLLDDESIGN.COM

Luminaire Schedule						
Symbol	Qty	Label	Arrangement	Lumens	LF	Description
	18	RLLD-ES COURT LIGHTING	SINGLE	107000	0.700	ES 1000MM - SPM HUNG
	12	HOU-400-MH-CT3HRS-VL	SINGLE	32000	0.800	HOU-400-MH-CT3HRS-VL

Calculation Summary							
Label	CalcType	Units	Avg	Max	Min	Avg/Min	Max/Min
RACQUETBALL COURT 1	Illuminance	Fc	174.88	216	124	1.41	1.74
RACQUETBALL COURT 2	Illuminance	Fc	173.74	214	124	1.40	1.73
TENNIS - PRIMARY PLAYING AREA	Illuminance	Fc	124.79	143	116	1.08	1.23
TENNIS - SECONDARY PLAYING AREA	Illuminance	Fc	111.05	144	71	1.56	2.03



Ownership and copyright for all documents created by RLL Design hereunder shall remain the exclusive property of RLL Design. They are not to be used by the Owner or Client on other projects or on extensions of this project except by agreement in writing and with appropriate compensation to RLL Design. The lighting designer shall not be responsible for the means, methods, techniques, sequences, or procedures on construction or installation, or for the acts and omissions of the Client, the Clients

FOR PURCHASING INFORMATION OF APPROVED EQUIPMENT SPECIFIED ON THIS PLAN CONTACT:

Dustin Smith  
 RLL Design, LP  
 300 Shepherd Dr STE B  
 Houston, TX 77007  
 Voice Number : 713-863-7699 x 105  
 Fax Number : 713-979-1429  
 Email Address : dustin@rlldesign.com

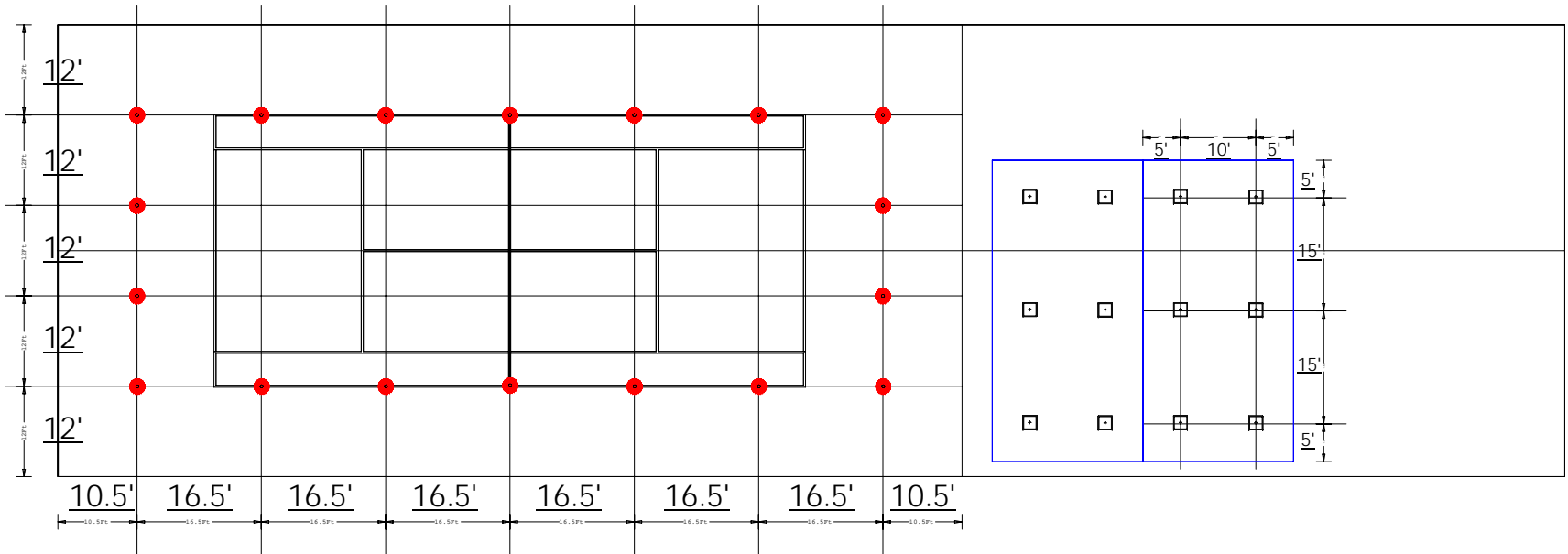
PROJECT: INDOOR TENNIS-RACQUETBALL FACILITY  
 LOCATION: MCOFFEENY, TX  
 CONTACT: JIM GADBERRY  
 DATE: 6-25-09



**RLLD, LP**  
 300 SHEPHERD DR STE B  
 HOUSTON, TX 77007  
 O. 713.867.7699  
 F. 713-979-1429  
 WWW.RLLDDESIGN.COM

Luminaire Schedule						
Symbol	Qty	Label	Arrangement	Lumens	LF	Description
	18	RLLD-ES COURT LIGHTING	SINGLE	107000	0.720	ES 1000MM - STEM HUNG
	12	SPHOU-320-PSMH-C73H8-S-HL	SINGLE	30000	0.720	HOU-320-PSMH-C73H8-S-HL

Calculation Summary							
Label	CalcType	Units	Avg	Max	Min	Avg/Min	Max/Min
RACQUETBALL COURT 1	Illuminance	Fc	0.00	0	0	N/A	N/A
RACQUETBALL COURT 2	Illuminance	Fc	0.00	0	0	N/A	N/A
TENNIS - PRIMARY PLAYING AREA	Illuminance	Fc	0.00	0	0	N/A	N/A
TENNIS - SECONDARY PLAYING AREA	Illuminance	Fc	0.00	0	0	N/A	N/A



Ownership and copyright for all documents created by RLL Design hereunder shall remain the exclusive property of RLL Design. They are not to be used by the Owner or Client on other projects or on extensions of this project except by agreement in writing and with appropriate compensation to RLL Design. The lighting designer shall not be responsible for the means, methods, techniques, sequences, or procedures on construction or installation, or for the acts and omissions of the Client, the Clients

**FOR PURCHASING INFORMATION OF APPROVED EQUIPMENT SPECIFIED ON THIS PLAN CONTACT:**

Dustin Smith  
 RLL Design, LP  
 300 Shepherd Dr STE B  
 Houston, TX 77007  
 Voice Number : 713-863-7699 x 105  
 Fax Number : 713-979-1429  
 Email Address : dustin@rlldesign.com

**PROJECT:** INDOOR TENNIS-RACQUETBALL FACILITY  
**LOCATION:** MCOFFEENY, TX  
**CONTACT:** JIM GADBERRY  
**DATE:** 6-25-09



